
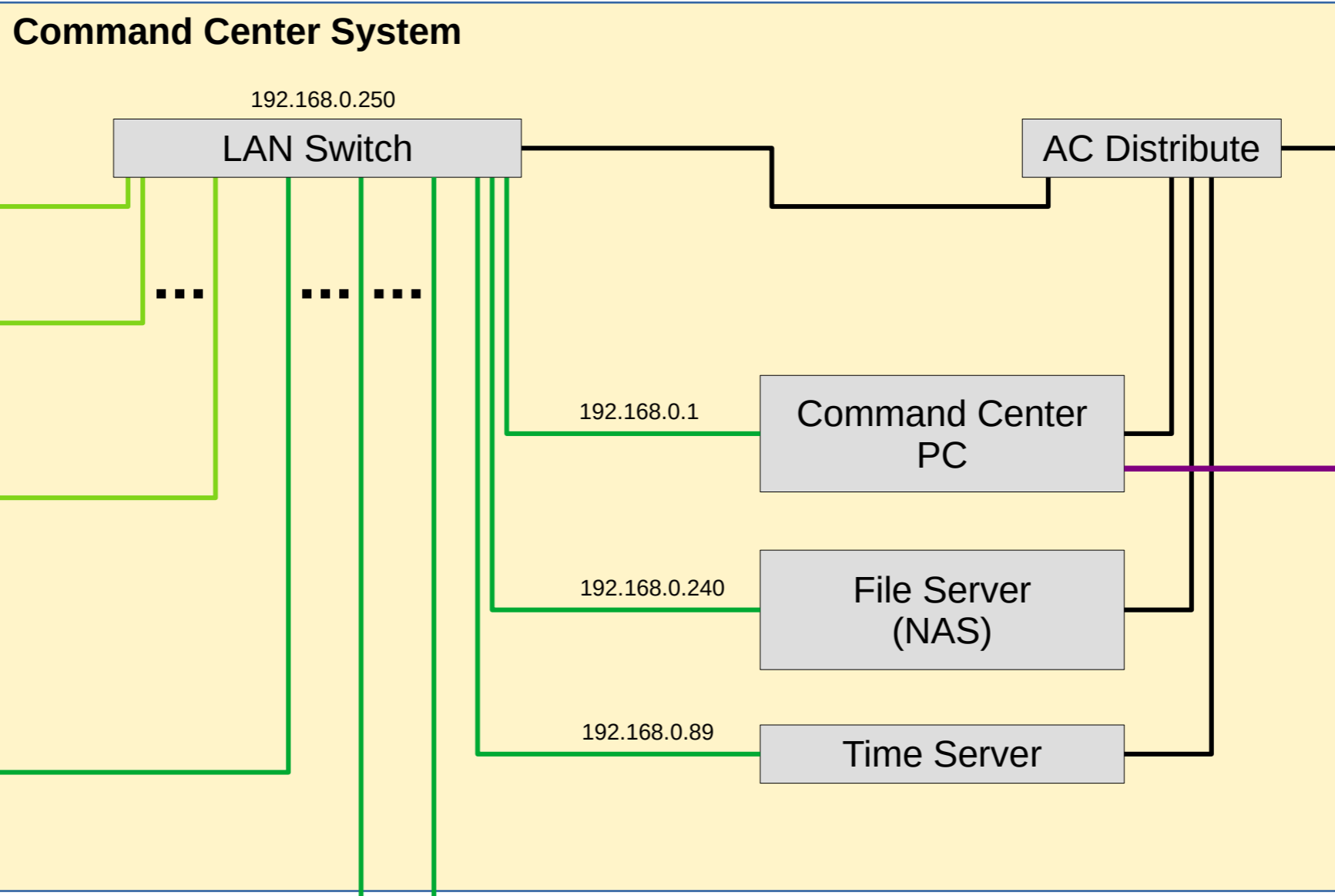


**Connections / cables**

- Power cable (2 or 3 wire)
- Power cable (5 wire)
- Coax cable
- Ethernet CAT6/7 or LWL
- Ethernet CAT6/7
- HDMI/DVI/Disp. + USB

Title <b>Block X7 V6</b>		
Unit Complete system		
Autor Ralf Schoden	Date 24.02.2021	 WWW.AARONIA.DE
Revision Rev#01	Page 1 / 4	



Sat 1

192.168.0.11

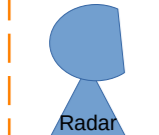
Sat 2

192.168.0.12

Sat N

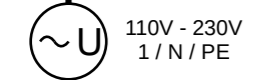
192.168.0.11 (+N-1)

Optional

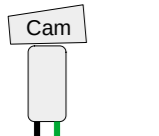


Power Data

192.168.0.80 (+N-1)

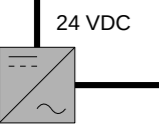


Optional



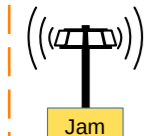
Power Data

192.168.0.90 (+N-1)



110V - 230V, 1/N/PE

Optional



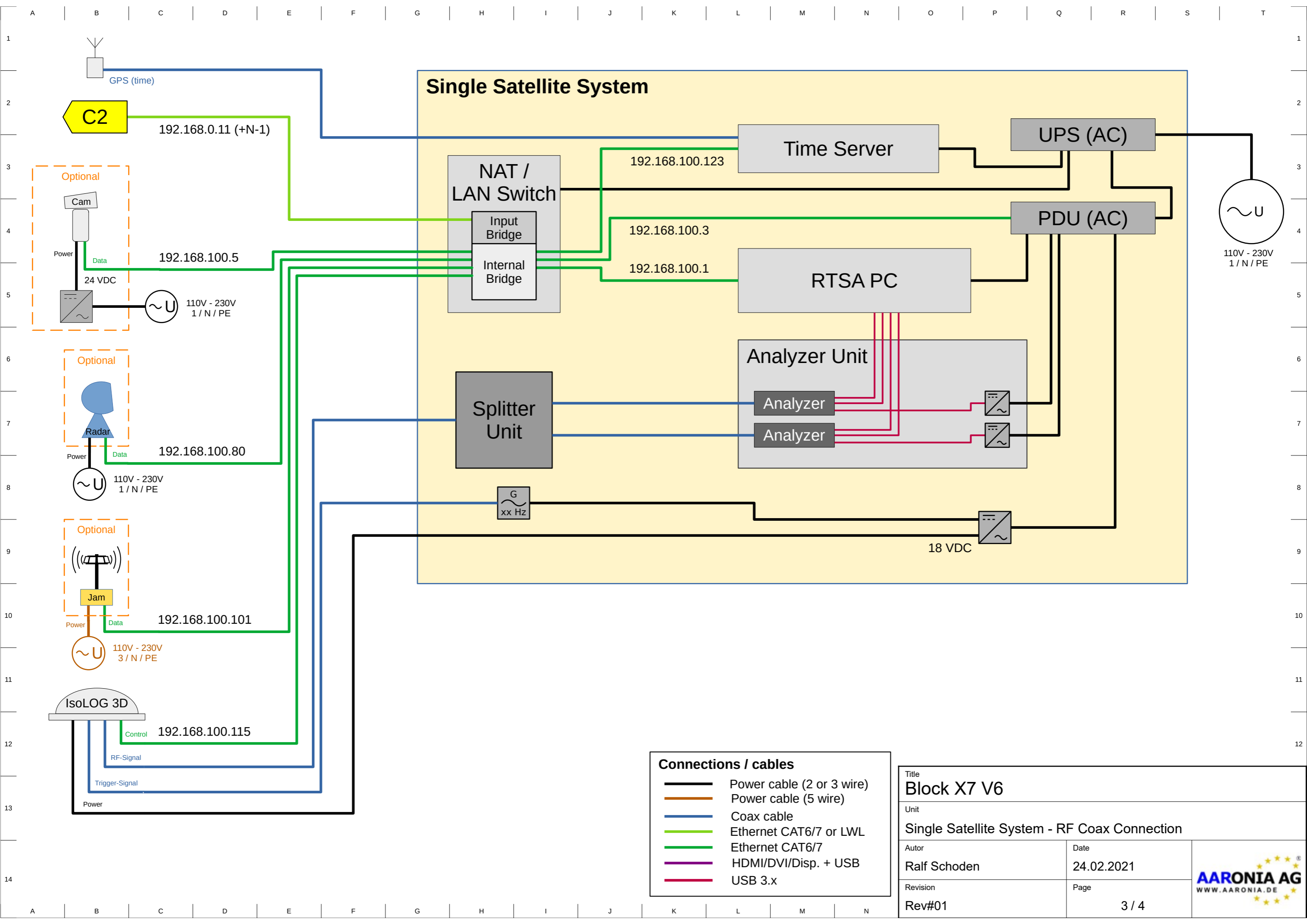
Power Data

192.168.0.101 (+N-1)




Connections / cables	
	Power cable (2 or 3 wire)
	Power cable (5 wire)
	Ethernet CAT6/7 or LWL
	Ethernet CAT6/7
	HDMI/DVI/Disp. + USB

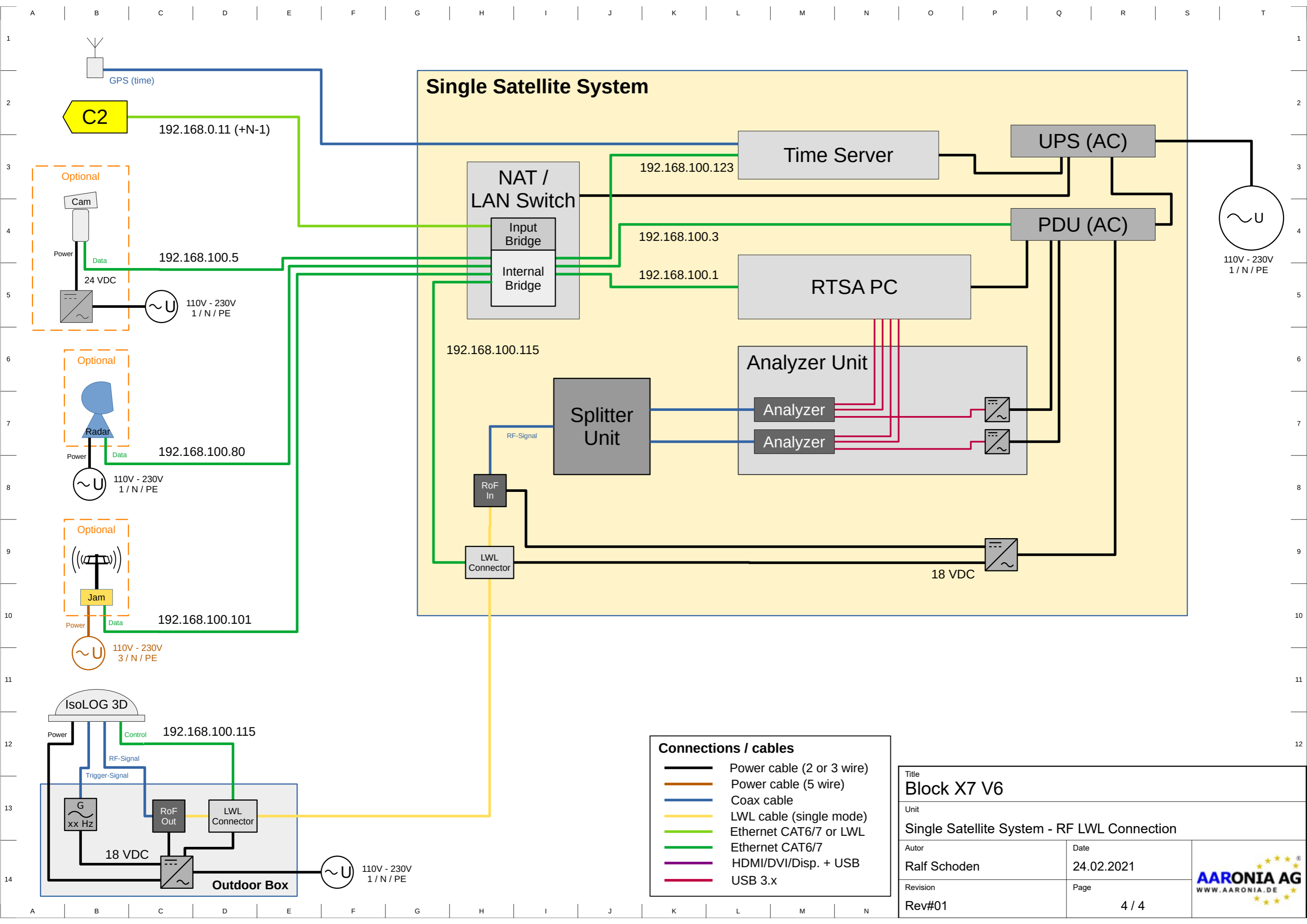
Title <b>Block X7 V6</b>		
Unit Command Center System		
Autor Ralf Schoden	Date 24.02.2021	 WWW.AARONIA.DE
Revision Rev#01	Page 2 / 4	



# Single Satellite System

- Connections / cables**
- Power cable (2 or 3 wire)
  - Power cable (5 wire)
  - Coax cable
  - Ethernet CAT6/7 or LWL
  - Ethernet CAT6/7
  - HDMI/DVI/Disp. + USB
  - USB 3.x

Title <b>Block X7 V6</b>		
Unit Single Satellite System - RF Coax Connection		
Autor Ralf Schoden	Date 24.02.2021	
Revision Rev#01	Page 3 / 4	



Title <b>Block X7 V6</b>		
Unit Single Satellite System - RF LWL Connection		
Autor Ralf Schoden	Date 24.02.2021	
Revision Rev#01	Page 4 / 4	